



US00D483487S

(12) **United States Design Patent**
Harding et al.

(10) **Patent No.:** **US D483,487 S**

(45) **Date of Patent:** **** Dec. 9, 2003**

- (54) **STOPCOCK DEVICE**
- (75) Inventors: **Weston F. Harding**, Lehi, UT (US);
Lawrence A. Lynn, Worthington, OH (US); **Ulf Wahlberg**, Helsingborg (SE)
- (73) Assignee: **Becton Dickinson and Company**, Franklin Lakes, NJ (US)

5,578,016 A	*	11/1996	Zinger	604/248
5,832,959 A	*	11/1998	Szymczakowski et al.	137/625.47
6,171,287 B1	*	1/2001	Lynn et al.	604/256
6,481,462 B2	*	11/2002	Fillmore et al.	137/607
6,536,742 B2	*	3/2003	Lotz et al.	251/297
2002/0017328 A1	*	2/2002	Loo	137/625.47
2003/0153897 A1	*	8/2003	Russo	604/537

(**) Term: **14 Years**

(21) Appl. No.: **29/172,927**

(22) Filed: **Dec. 19, 2002**

(51) **LOC (7) Cl.** **24-02**

(52) **U.S. Cl.** **D24/129**

(58) **Field of Search** D24/129; D23/233;
604/248, 236, 537, 284, 285, 534, 539,
533, 288.2, 288.03, 256, 905; 251/298,
309, 317, 350, 297; 137/625.4, 625.41,
625.47

(56) **References Cited**

U.S. PATENT DOCUMENTS

D198,499 S	*	6/1964	Harautuncian	D24/129
D257,286 S	*	10/1980	Folkman	D24/129
5,334,163 A	*	8/1994	Sinnett	604/236

* cited by examiner

Primary Examiner—Ian Simmons

(74) *Attorney, Agent, or Firm*—James J. Murtha

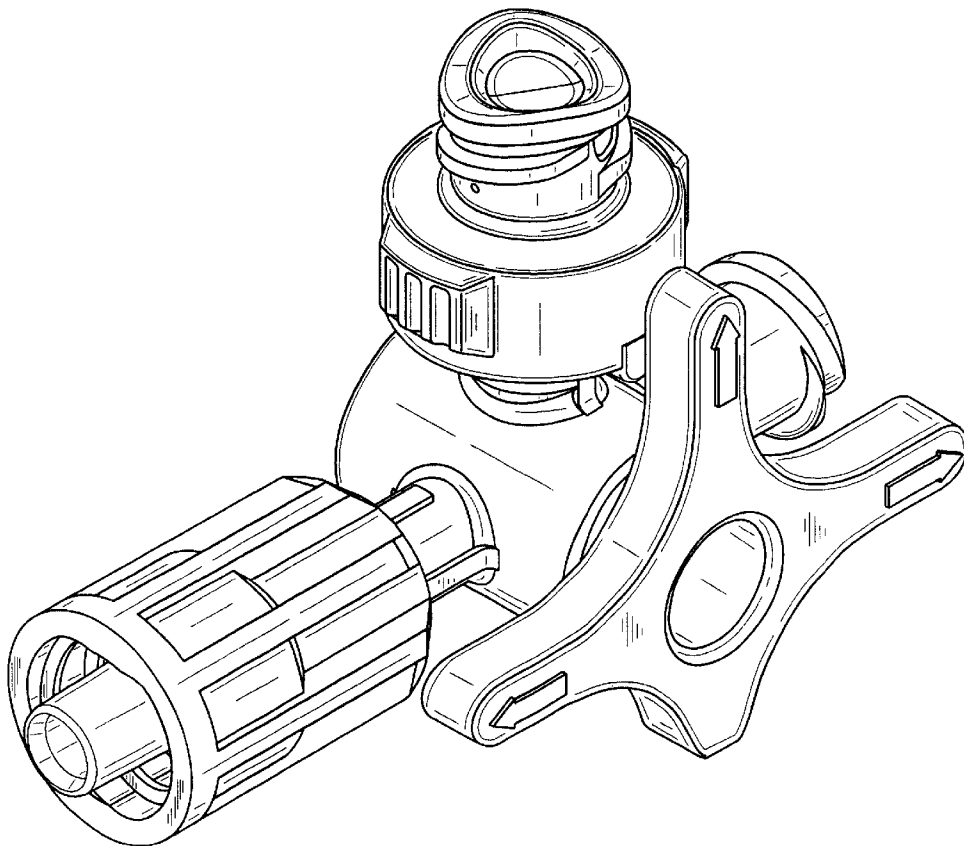
(57) **CLAIM**

The ornamental design for a stopcock device, as shown.

DESCRIPTION

FIG. 1 is a perspective view from the right proximal end of the stopcock;
 FIG. 2 is a right elevation view of the stopcock of FIG. 1;
 FIG. 3 is a top elevation view of the stopcock of FIG. 1;
 FIG. 4 is a left elevation view of the stopcock of FIG. 1;
 FIG. 5 is a rear elevation view of the stopcock of FIG. 1;
 FIG. 6 is a front elevation view of the stopcock of FIG. 1;
 and,
 FIG. 7 is a bottom elevation view of the stopcock of FIG. 1.

1 Claim, 6 Drawing Sheets



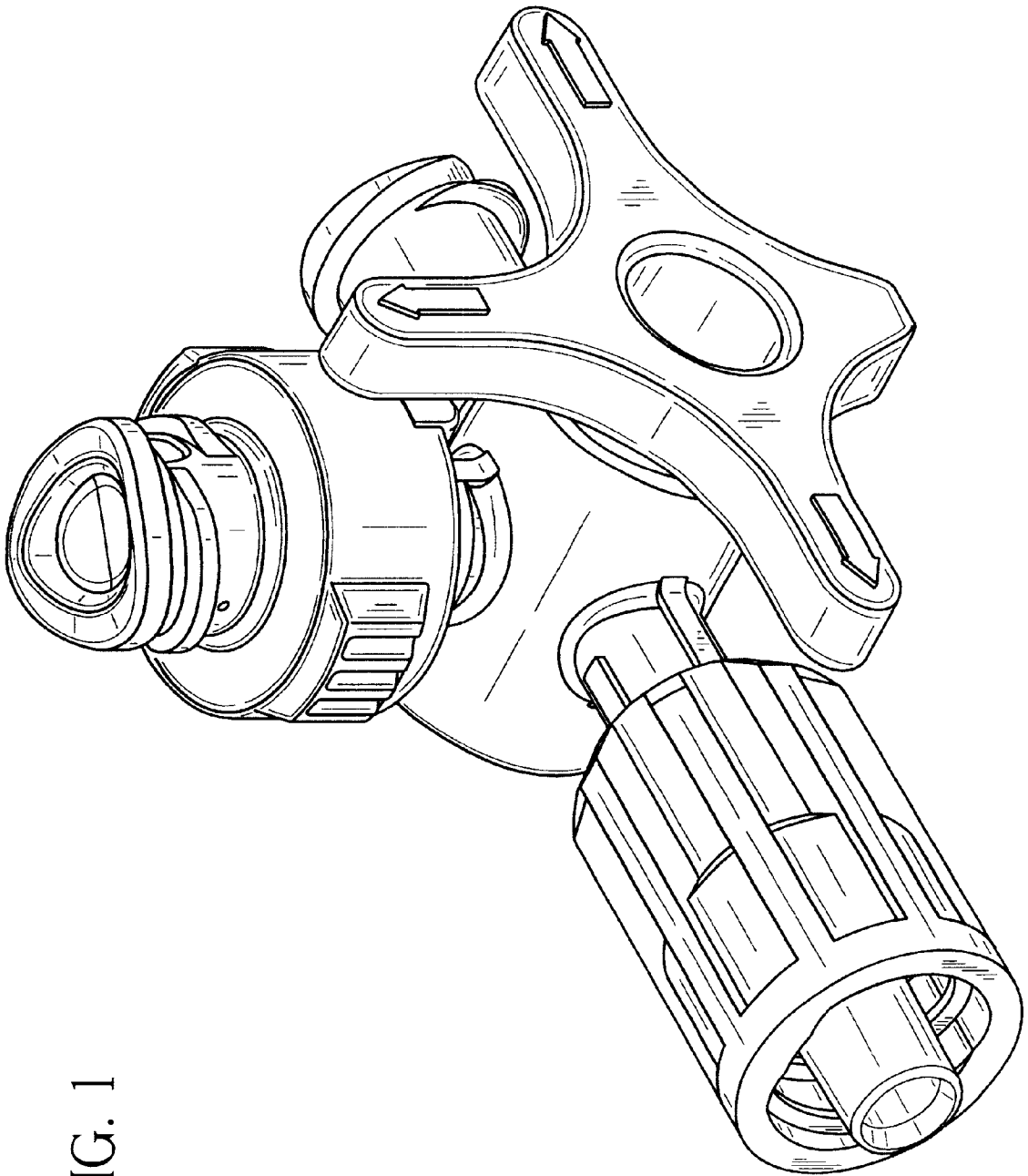


FIG. 1

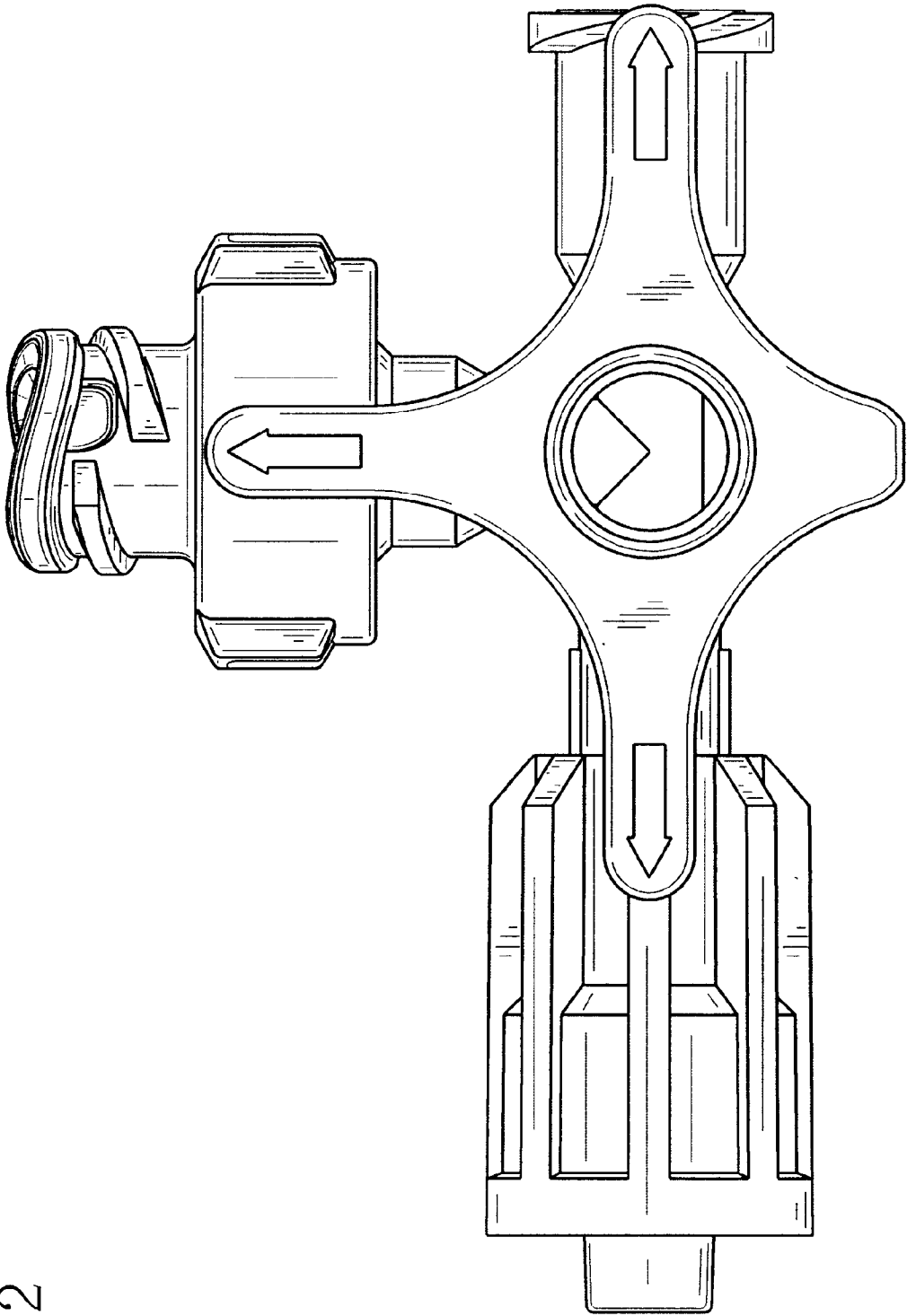


FIG. 2

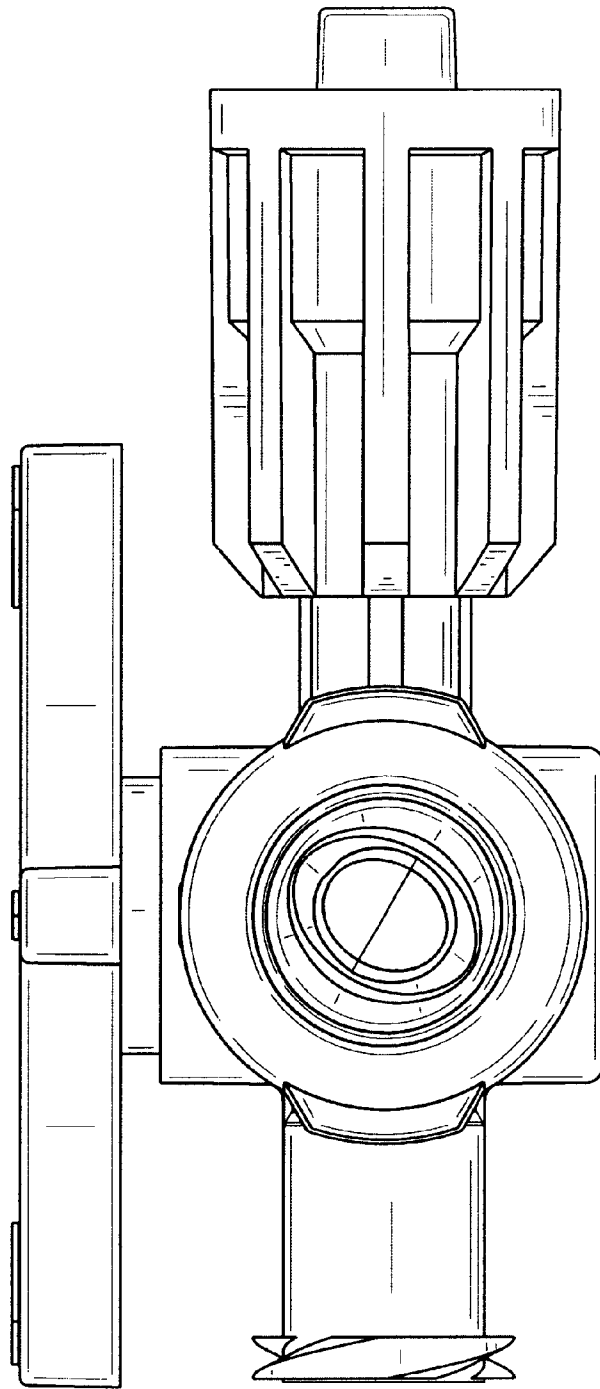


FIG. 3

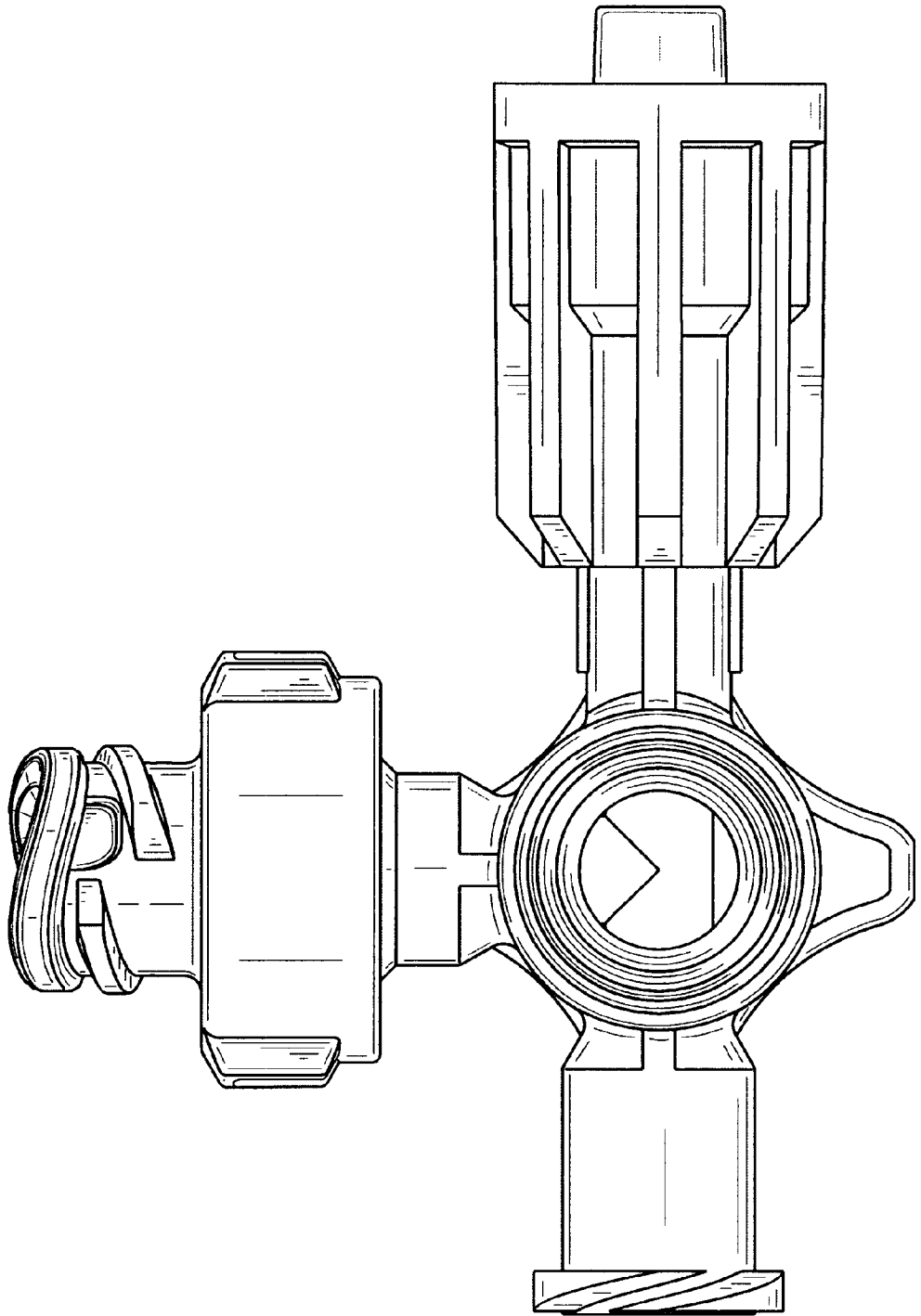


FIG. 4

FIG. 6

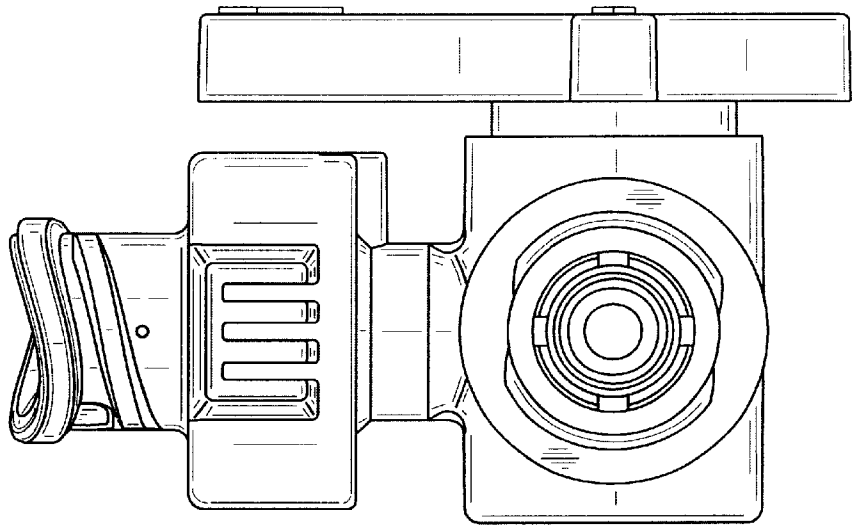
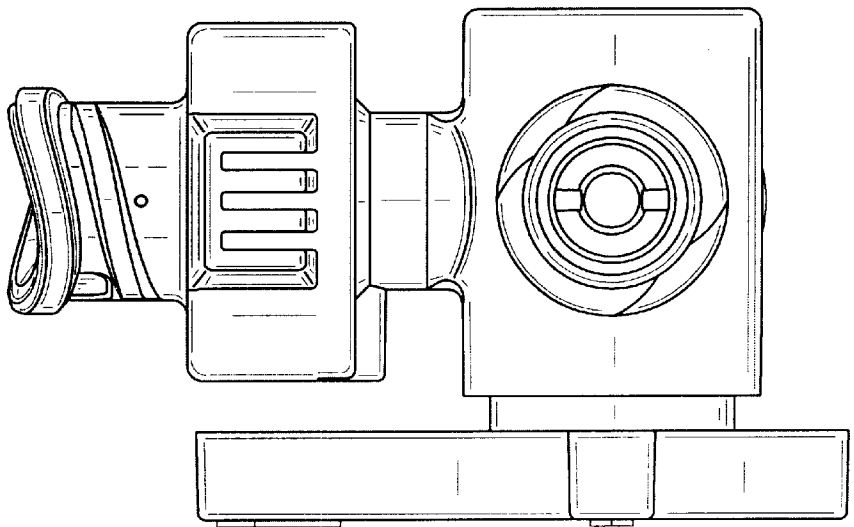


FIG. 5



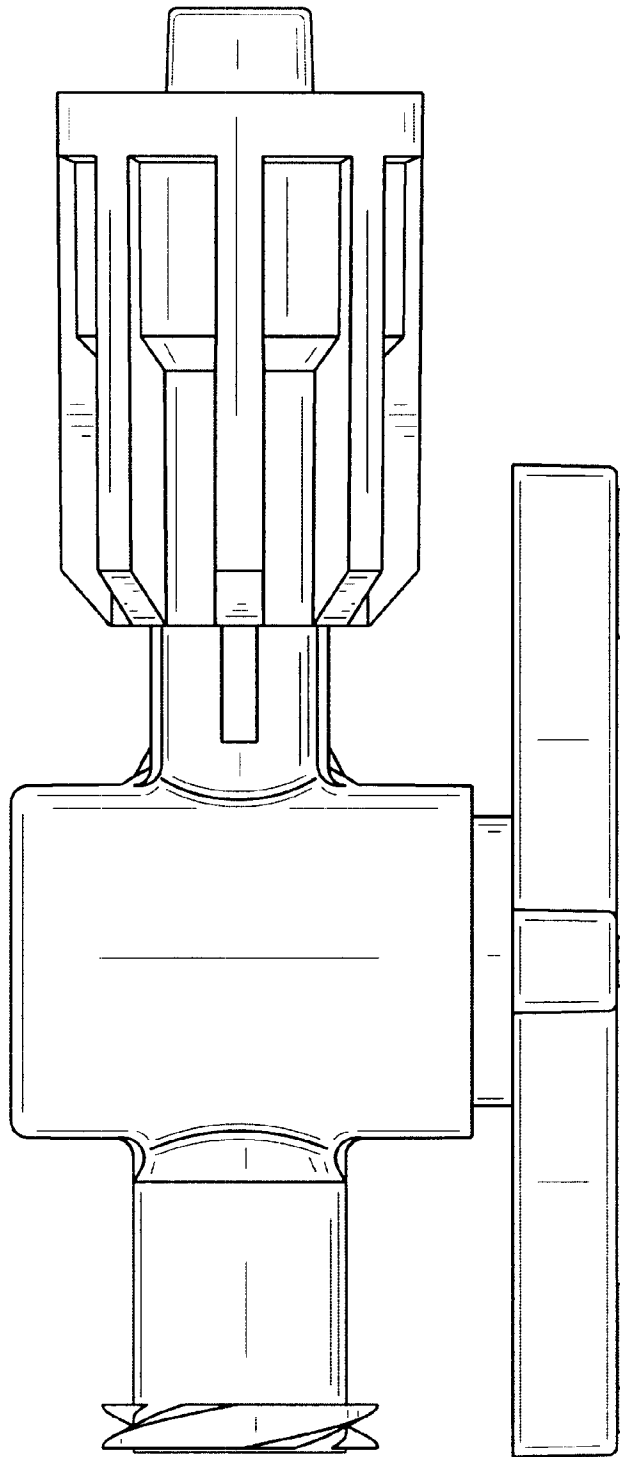


FIG. 7